

Extension Ring 20L / 30L / 40L

Instruction Manual

Thank you for purchasing SEA&SEA products. Please read this instruction manual carefully prior to using your underwater housing. Only with a thorough understanding of this manual's content will you be able to use the housing correctly. After reading the manual, please be sure to keep it in a place where you can easily come back to it at any time.

Safety Precautions

Failure to heed the precautions listed below could result in serious consequences. To prevent injury or damage to yourself and/or others, please observe the precautions as they contain highly important information related to personal and product safety.



CAUTION

Situations that could result in property damage or personal injury.

CAUTION

- Unauthorized disassembling and/or modification could result in malfunction or flooding, and void product warranty. Take the product to a SEA&SEA authorized service center for repair or inspection.
- Do not open the product in a wet or sandy environment. Protect the interior from moisture and debris in order to prevent malfunction or flooding.
- Avoid strong shocks/impacts or excess stress to prevent malfunction, damage or breakdown. Make sure that the product has been securely mounted to other products in order to prevent injury, fall or missing.
- Do not carry the camera or housing by holding the accessories such as arm, cable, strobe, etc. Heavy components may fall and cause damage or injury.
- Do not leave the product in places with hot temperatures such as inside of a car or in a car trunk in

summer.

- Do not store the product in wet or high humidity place, to avoid mold, rust, corrosion or malfunction.
- Do not store the product wet. Thoroughly dry the surface using a soft non-scratching cloth to prevent spot marks.
- SEA&SEA SUNPAK Co., Ltd. will not be responsible for the replacement or compensation for cameras, lenses or those accessories damaged due to your invalid operation.
- SEA&SEA SUNPAK Co., Ltd. assumes no liability for compensation of loss of captured image or expenses caused by loss of images, even if you are unable to shoot due to a product defect or malfunction.
- SEA&SEA SUNPAK Co., Ltd. assumes no liability for errors or discrepancies in this manual.

Maintenance and Storage

- Never use chemicals, cosmetics, any petroleum solvents such as paint thinner, or neutral detergent on the product. They may deform and damage the product.
- After each use in salt water, make sure it's watertight, then soak it sufficiently in fresh water.
- Insufficient soaking causes damage by salt to the product. Salty residue may be left on the product where it will crystallize as it evaporates. Crystallized salt is hard to dissolve and difficult to be removed once formed, and it will result in water leakage.
- After rinsing, dry the product well with a soft dry cloth, then let the product dry in the shade, out of direct sunlight.
- Do not dry the product by heating (using a hair dryer, for example).

Heating can deform and damage the product.

- If you will not use the product for an extended period of time, store it away from high temperatures, high humidity, direct sunlight, or extreme cold.
- Do not store the product with naphthalene or camphor mothballs, or in locations such as a laboratory where chemicals are used. This environment can cause mold, rust, corrosion or malfunction.
- After using the product, maintain the O-rings before storing. Examine the O-rings before and after each dive. We recommend early exchange of the O-rings, at least once a year.
- Every two years we recommend a complete overhaul of O-rings regardless of the frequency in use, for the best performance of the product.

Preparation for Installation

Maintaining the O-ring

This product is kept watertight by the O-ring. To keep the O-ring functioning properly, please observe the following before setting up.

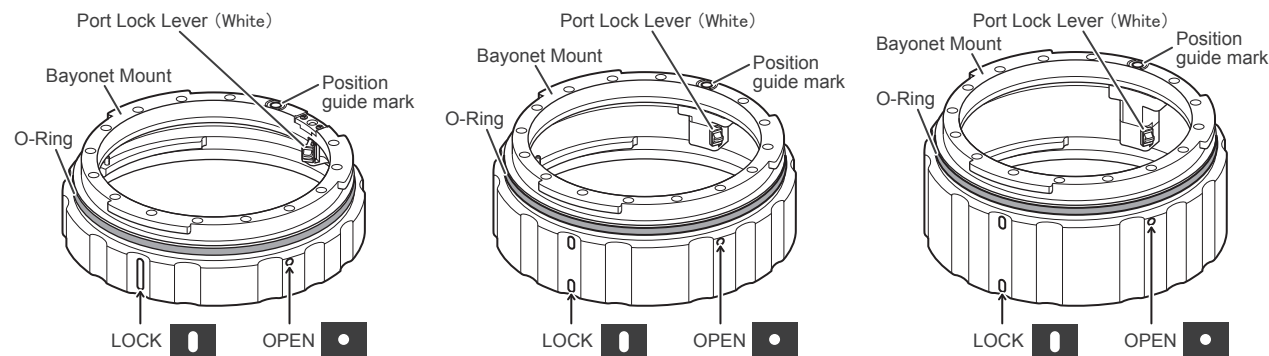
- Make sure to remove the O-ring when maintaining.
- For detailed O-ring maintenance methods, please see the O-ring maintenance manual.
- The O-ring is a consumable item, and it generally lasts for one year. It is advisable to replace it early.

Specifications

Construction	Corrosion-resistant aluminium alloy		Depth rating	100m / 330ft	Accessories	Instruction manual (this manual)
Weight	20L: Approx.154g / 5.43oz		30L: Approx.194g / 6.84oz	40L: Approx.234g / 8.25oz		
Dimensions (DIA×H)	20L: Approx.φ129×35.5mm / 5.2×1.79inches		30L: Approx.φ129×45.5mm / 5.2×1.79inches	40L: Approx.φ129×55.5mm / 5.2×1.79inches		

*The specifications and appearance are subject to change without notice.

Identification of Parts



< Extension Ring 20L >

< Extension Ring 30L >

< Extension Ring 40L >

Attaching and Detaching

- The intermediate ring fits snugly with the port to provide a watertight seal. This snug fit may make it difficult to remove the ring from the port when detached from the housing. To remove the ring, keep the ring and port installed on the housing with the port lock engaged in the intermediate ring. First remove the port from the intermediate ring

in the counter-clockwise direction. Then disengage the port lock and remove the intermediate ring from the housing. Please also note that if the port and intermediate ring are left together for long periods of time they may be difficult to separate. Always store the intermediate ring and the port separately.

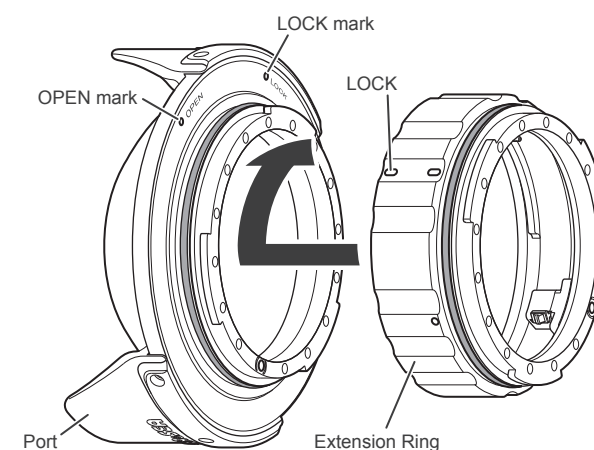
Attaching the Port

- Align the LOCK INDEX on the Extension Ring and the OPEN mark on the port. Press the port onto the Extension Ring and turn the port clockwise till it stops at the LOCK mark.

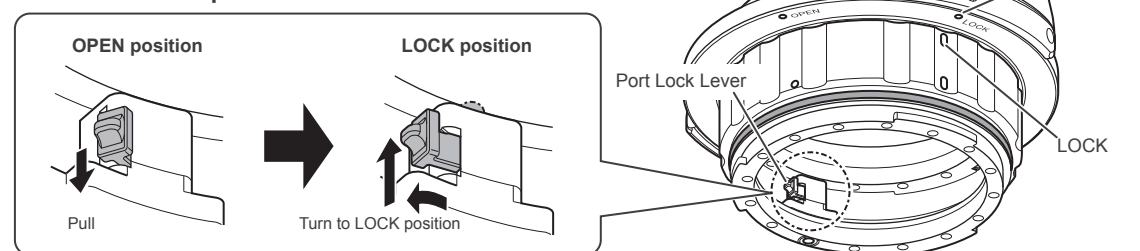
CAUTION

- When attaching the port to the housing, always refer to the instruction manual provided.
- Before attaching the port, make sure there are no specks of dust, scratches, or deformities on the O-ring and the O-ring contact surfaces.
- When fitting or removing a port from the extension ring, ensure the Port Lock Lever is in OPEN position.

*This extension ring may be broken or damaged if an ML port is forcibly attached or removed when they are locked.



- Pull the Port Lock Lever then turn it counter-clockwise into the LOCK position as shown.



Detaching the Port

- Please refer to the instruction manual of the housing.

CAUTION

- When fitting or removing a port from the extension ring, ensure the Port Lock Lever is in OPEN position.
- *This extension ring may be broken or damaged if an ML port is forcibly attached or removed when they are locked.